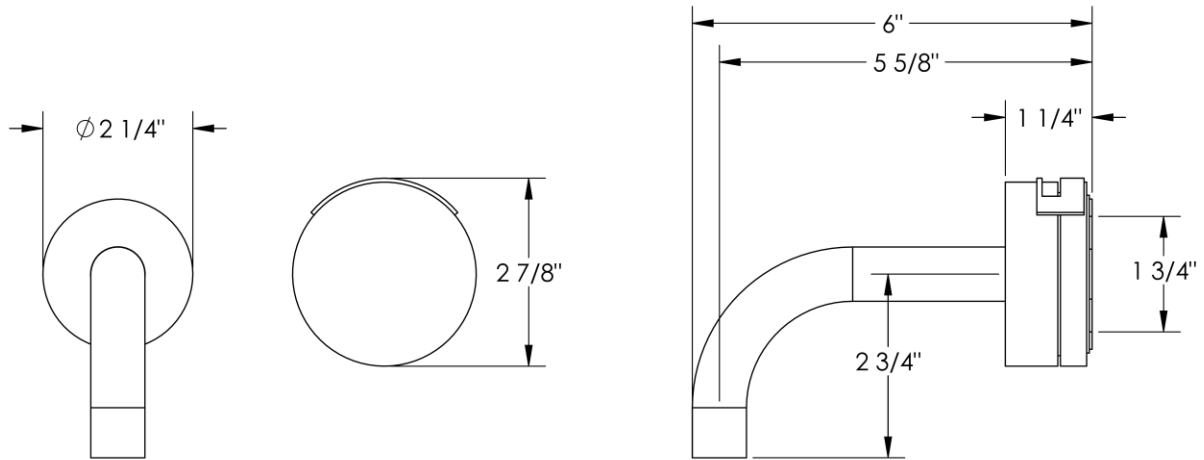


21-1.2M-ELMNT-BRDG

Single Handle Wall Mounted Lavatory w/ 6" spout

Flow Rate: 1.2 GPM



Meets the applicable requirements of ASME A112.18.1-2005/CSA B125.1-05, entitled "Plumbing Supply Fittings"